



MOTORIZED DOLLY

## FILO VIA

Filo Via is to motorized dolly that traveling on thin electromagnetic tape. The latter can be paintable or coverable with 30 mm flooring. The electromagnetic Tape can be intersect, it creating various changes of direction, that the camera operator can selects easily by his position.

Filo Via can be controlled by Easy Cams Pan/Bar.

Easy Cams is composed by flowing-head on which is mounted to monitor, when you moved Pan/Bar control also the camera it move.

One other control is Easy Cams Console w joystick; both has control unit for: column, dolly focus, iris and zoom.

By means of the touch monitor, camera operator can be setting and see:

- Condition of all axes: rate, smoothing, inversion and auto-set.
- Possibility to select and move two cameras.
- Tally reporting
- Track reporting
- Signal of longitudinal position of the dolly on the track.
- Charge battery reporting
- Visualisation software
- Movement Pan/Bar [ x4 - x2 - x1 - x½ - x¼ ].

**DATASHEET**

---

Payload Max	25 kg
-------------	-------

---

Lens height	w/o telescopic lift 50 cm w telescopic lift 95/105 cm to 165/175 cm
-------------	--

---

Max speed	Dolly: 1,5 m/s Pan/Tilt: 450°/s
-----------	------------------------------------

---

Dolly dimension [ HxWxL ]	250 x 550 x 990 mm
---------------------------	--------------------

---

Min turning radius	2,5 m
--------------------	-------

---

Operator control unit	Pan/Bar Console Joystick Recall position system [ Optional ]
-----------------------	--

---

Power supply	Master Pan/Bar: 12-30VDC Slave: 3 battery 24VDC 10 A Master joystick [ Manual/Drive ]: 12-30VDC V-Lock
--------------	---

---

Autonomy	+/- 6 h
----------	---------

---

Max distance wireless Easy Cams	200 m
---------------------------------	-------

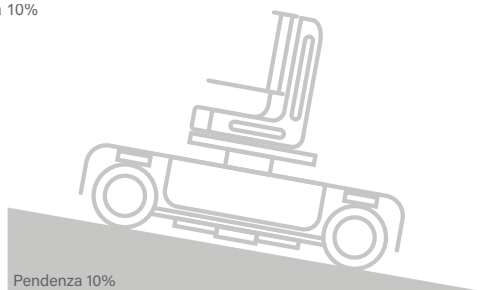
---

Safety system	Slowing magnets Braking magnets Anti-collision sensor 180°+180° Emergency stop Automatic speed limitation
---------------	---

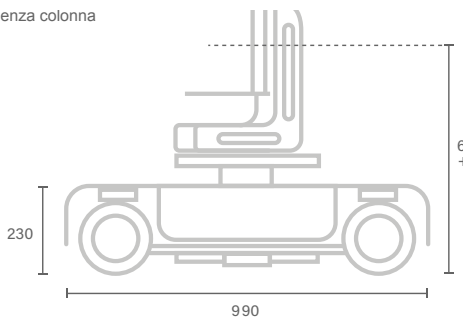
---

# FILO VIA

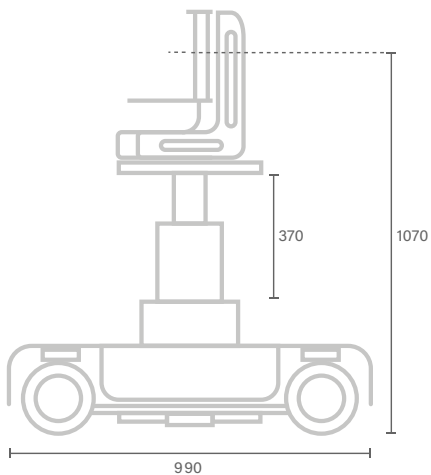
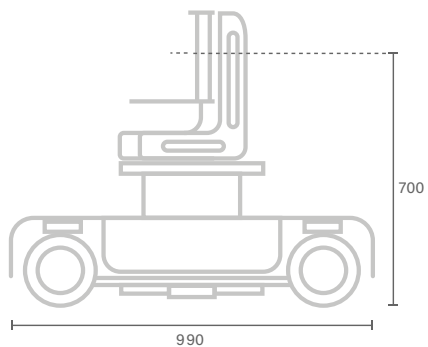
pendenza 10%



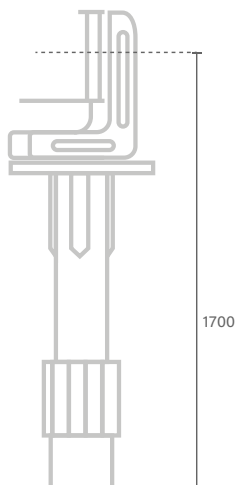
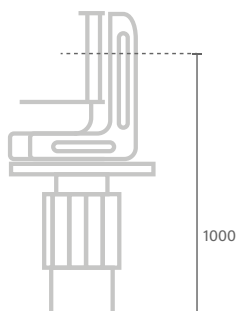
Senza colonna



bassa



alta



Unit of measure - millimetres [ mm ]