



WIND EFFECT – UNIVERSAL EFFECT **ST-BASE 1000 MKII**

DATASHEET

Dimension [HxWxL] 164 x 122 x 206 cm

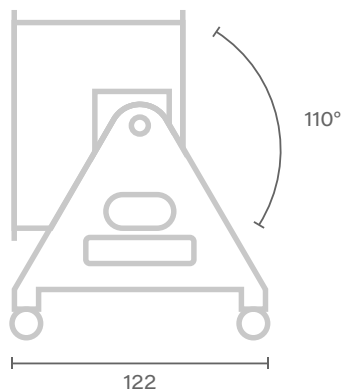
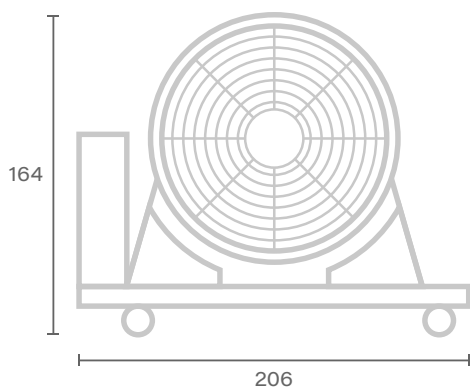
Weight 300 kg

Power supply 22 kW 58A

Control DMX-512

Max wind speed 125 km/h

Output Speed w UE Head Wind 140 km/h



Unit of measure - centimetres [cm]