



SPECIAL VEHICLES

U-CRANE MINI **STELVIO**

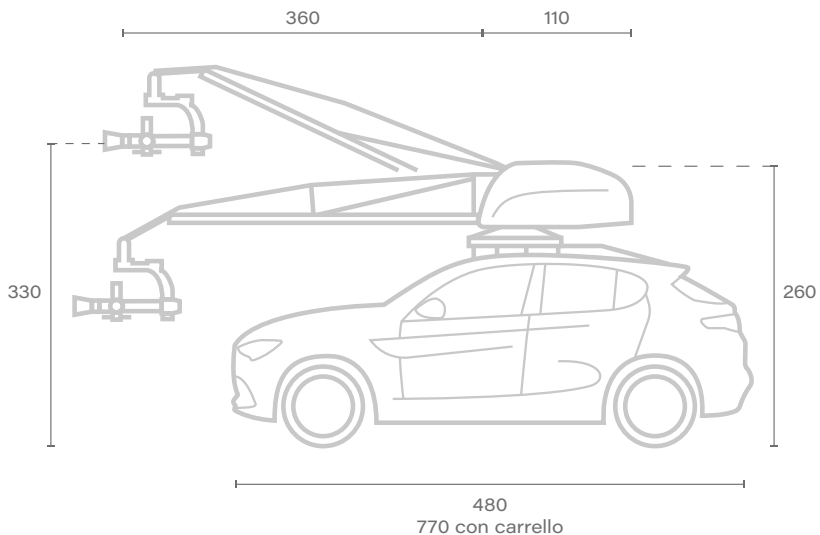
U-Crane Mini is a gyro-stabilized and remote arm. It is as versatile as the U-Crane, it is proposing an arm of 3,50 m, with a range of 86°.

This system is equipped with Flight Head Mini, it is more easy compared to Flight Head V but your shooting will be always precise and stabilized.

Unlike the classic U-Crane this system does not need to be transported with a truck, but it will be presented on the set as you see it.

DATASHEET

PAN/TILT	Gyro-stabilized
Crane length	343 cm
Lens height	330 cm ca.
PAN capacity	+ 360°
PAN speed	60°/1s
TILT capacity	+/- 45°
TILT speed	45° /1.5s
Stabilized head	Flight Head Mini IV
Vehicle	Alfa Romeo Stelvio Quadrifoglio
Seats	4 + Driver
Video	5 Monitor HD + 1 Recorder
Audio	6 Headphones Intercom Full-Duplex
Optional	F.I.Z. Remote System Rain Deflector ZERO RD
RA-Truck Dimension [HxWxL]	158 x 150 x 271 cm



Measures are give in centimetres [cm]