



SPECIAL VEHICLES

U-CRANE

U-Crane is a gyro-stabilized and remote arm, it's equipped with the stabilized head, Flight Head 5. This system is mounted on a high performance vehicle, all this allowing amazing high-speed shooting.

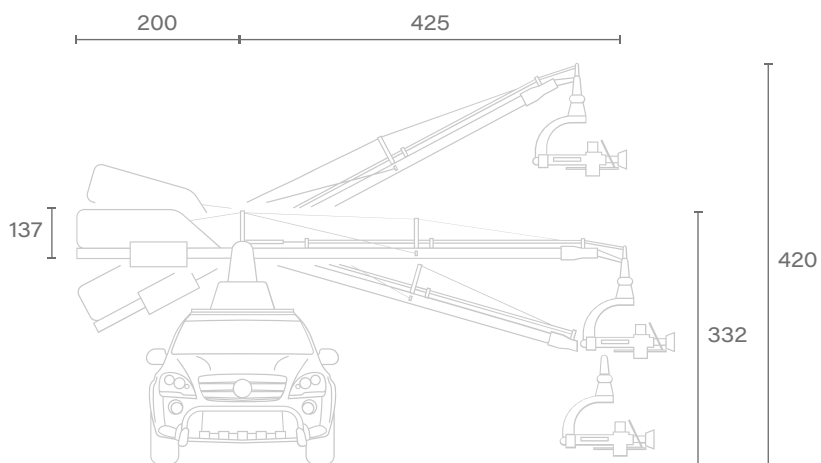
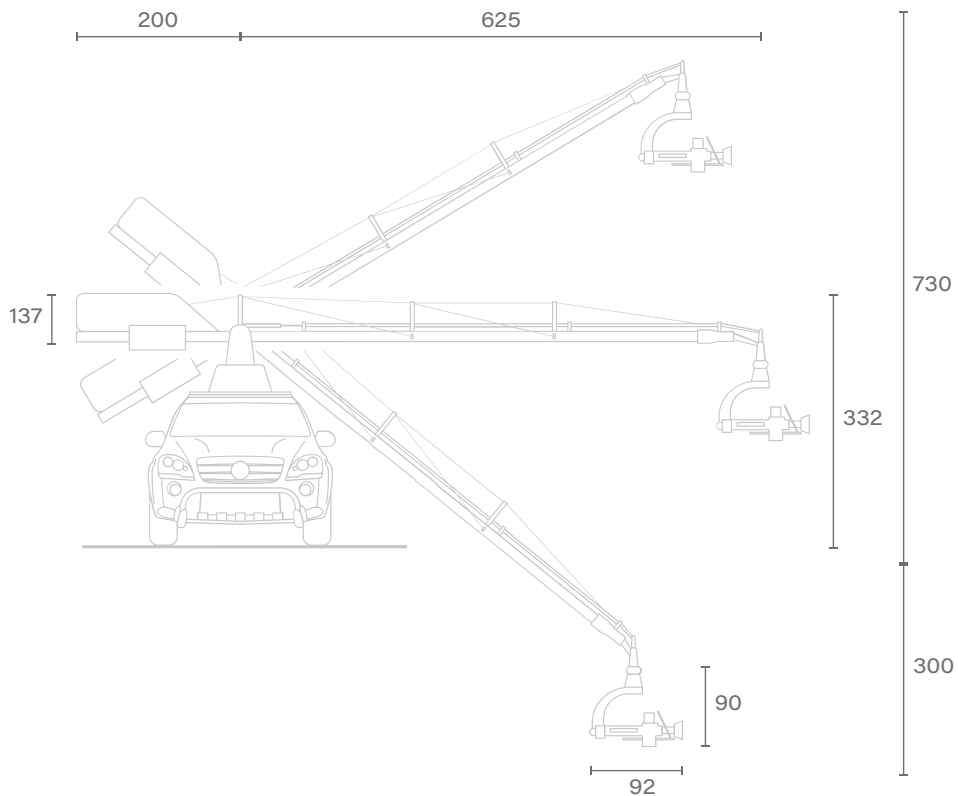
The passenger compartment is provided with five monitor HD, the playback camera is available via Sound Device and it is also possible to communicate with seven radio stations simultaneously. Movie People has set up the system so that it can shoot 24 hours a day without ever stopping to recharge the batteries of the arm.

DATASHEET

PAN/TILT	Gyro-stabilized
Crane length	Max 600 cm – Min 400 cm
Lens height	6M - 600 cm ca. / 4M - 320 cm ca.
PAN capacity	+ 360°
PAN speed	20° / 1s
TILT capacity	+/- 45°
TILT speed	20° / 1s
Stabilized head	Flight Head V / Flight Head 6S
Vehicle	Mercedes ML 63AMG
Seats	5 + Driver
Video	5 Monitor HD + 1 Recorder
Audio	6 Headphones Intercom Full-Duplex
Optional	F.I.Z. Remote System Rain Deflector ZERO RD
RA-Truck Dimension [HxWxL]	399 x 255 x 1260 cm



U-CRANE



Measures are give in centimetres [cm]