



MOTION CONTROL – TECHNOCRANE

## **TECHNODOLLY**

First of its generation, TechnoDolly is a telescopic crane that allows you to repeat complex movements of the camera automatically, unlimitedly and with absolute precision.

TechnoDolly allows you to program the movements you want to repeat quickly and easily, the operator just needs to set a first key frame and continue adding others up to a Maximum of 99, the TechnoDolly system will interpolate the key frames between them in a intelligent and fluid reproducing the final movement.

The operator can manually use the system and record the movement of the machine in real time, subsequently it is still possible to intervene to modify, add or remove key frames from the total movement, the system also allows you to save the movements of the Focus, Iris and Zoom.

Each axis of the entire system is "absolute" and implies that a movement saved in a previous location can be repeated in the next one, this versatility makes it suitable for any type of production from film to television and allows it to interface with everyone virtual and augmented reality systems.

# TECHNODOLLY

The TechnoDolly system is equipped with a Technohead S stabilized head that allows you to turn with a wide combination of cameras and optics.

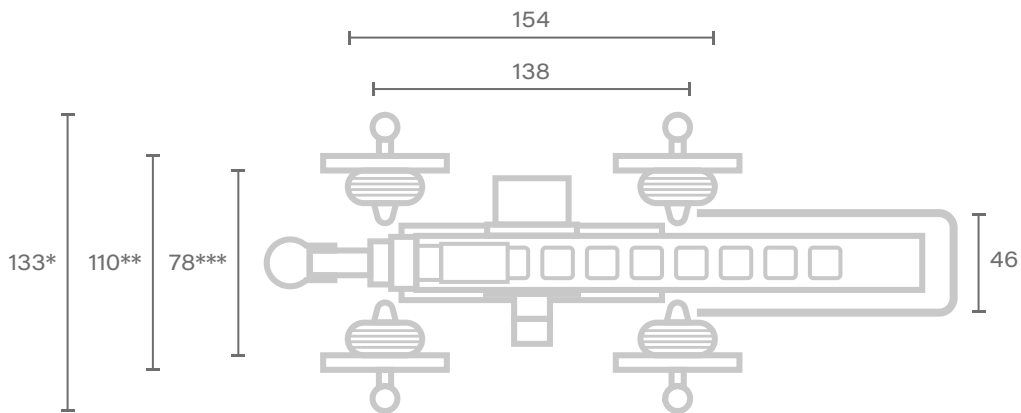
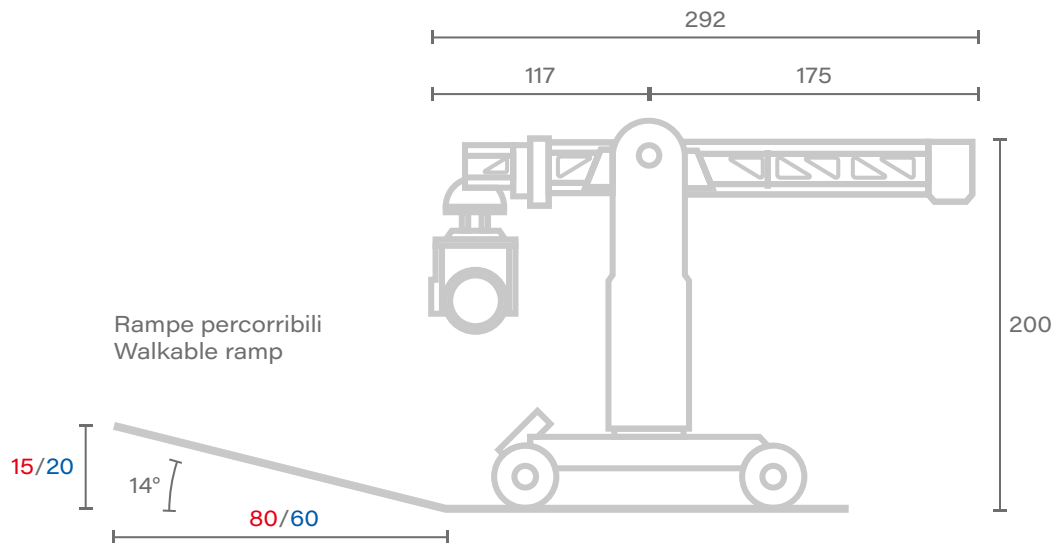
TechnoDolly has a reliable and silent telescopic crane that brings the shoot to a height of 440 cm.



TechnoDolly moves on an 110 cm wide track that can reach 1800 cm in length.

## DATASHEET

Payload	35 kg
Max lens height	442 cm
Max telescopic range	301 cm
Back length	175 cm
Total length	593 cm
Dolly + Technohead S Weight	900 kg
Track weight 300 cm	40 kg
Max crane speed	100 cm/s
Max dolly speed	150 cm/s
Max track length	1800 cm



\* Stabilizzatori / Stabilizers

\*\* Binario / Truk

\*\*\* Ruote / Wheels

Unit of measure - centimetres [ cm ]

