



STABILISED HEADS – SHOTOVER

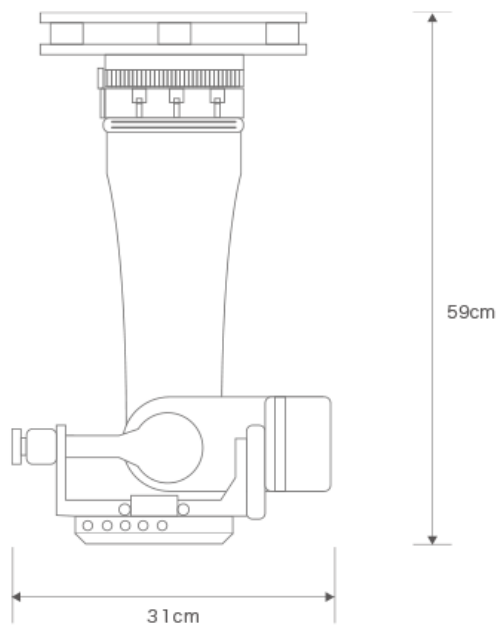
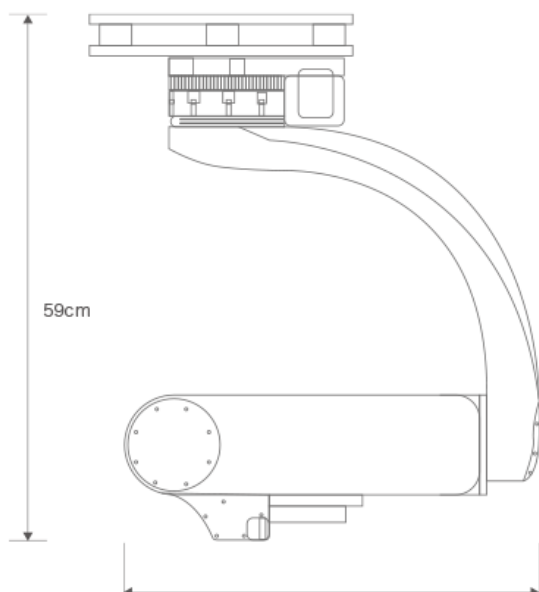
SHOTOVER G1

The Shotover G1 is a lightweight and durable 3-axis gyro-stabilised head that offers excellent image stability, allowing it to be mounted on a wide range of mounts such as cranes, dollies, motorised trolleys and specialty vehicles.

DATASHEET

Stabilization	3 axes gyro stabilized
Payload	25 kg
Gimbal field of view	Pan: 360° continuous Tilt: +65° to -120° Roll: +/-65° Max rotation speed: 100°/s
Data / Communication	Optical fiber CAN Bus RS 422 Serial Bus Ethernet
Weight	4 kg
Power supply	20-60VDC 960 W
Environment	-20 to +50 °C

SHOTOVER G1



Unit of measurement - centimetres [cm]