



STABILIZED HEADS – FILMOTECHNIC

FLIGHT HEAD V

Flight Head V is a gyro-stabilized head 3 axes that reduced any stroke, jerk and twitch. Pan and Tilt systems balance the movement of the crane or special vehicles, providing more axesistance to the operator.

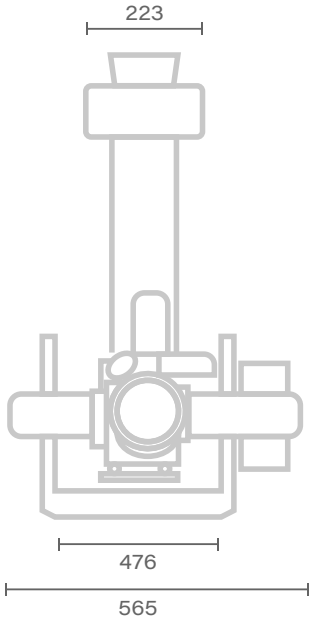
Flight Head 5 has the automatic digital horizon but can be deactivated for greater Roll control, camera operator can control focus and zoom engine in remote. Also it is 4° axis which allows zenithal shooting.



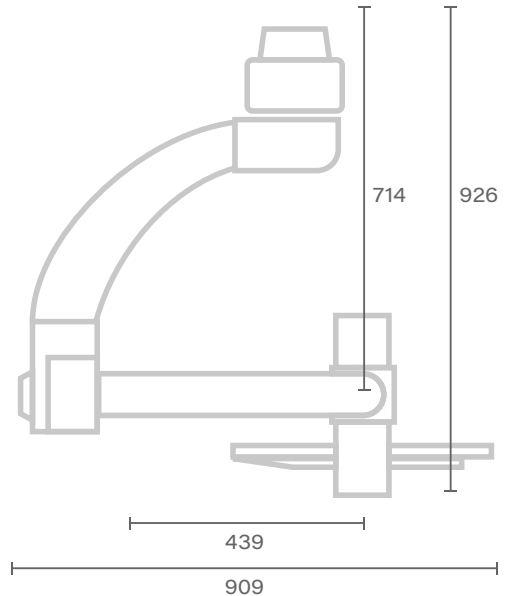
FLIGHT HEAD V

DATASHEET

Stabilization	3 axes gyro stabilized – 4 axis optional Pan compensation
Payload	45 Kg
Gimbal field of view	Pan: 360° Tilt: 200° Roll: 270° – Auto horizon Max speed Pan/Tilt-Roll: 160°/S
Data / Communication	RF Wireless
Weight	24 Kg
Power supply	24 – 30VDC 15A Max
Environment	-40 to +43 °C



[fig.1] Flight Head V w camera



[fig.2] Flight Head V w/o camera

Unit of measure - millimetres [mm]