



REMOTE HEADS – MOVIE PEOPLE

CAMS MD 3 AXES

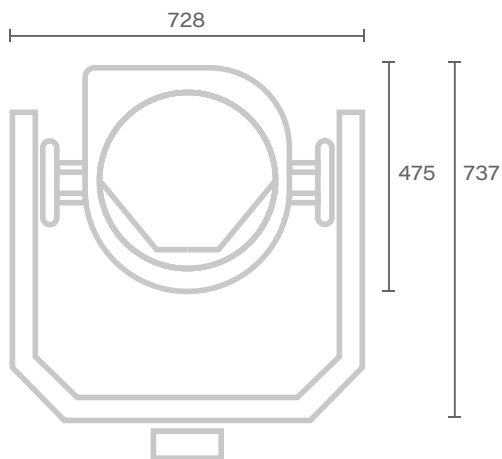
Cams MD is a remote head 3 axes, it is light, versatile and modular. It can be mounted on crane, dolly, columns, bazooka risers and customized unit. On Cams MD 3 axes you can mount Cine or Eng cameras.

Cams MD can be controlled by Pan/Bar, Console with joystick and wheels; also it can be controlled by a software which memorise its movements and repeat it.

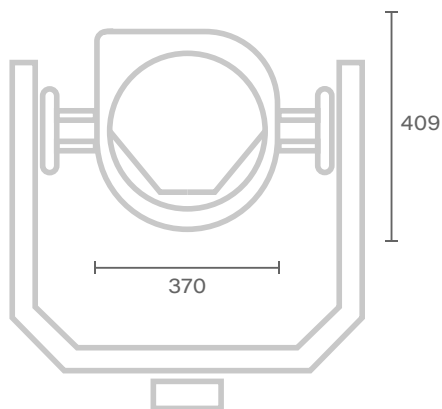
Camera operator can works reach 1,2 km to remote head, the latter is complete of three Focus, Zoom and Iris engine.

DATASHEET

Payload Max	25 kg
Weight	14 kg
Max speed	280°/s
Operator control unit	Pan/Bar Console joystick Wheels Software for position recall [optional] Motorise Focus, Zoom and Iris
Engine	3 Rings 0.8 / 0.6 / 0.5 / 0.4 mm Ø 50 mm



[fig.1] Cine Version



[fig.2] Version Video

Unit of measure - millimetres [mm]