



UNDERWATER REMOTE HEADS – MOVIE PEOPLE

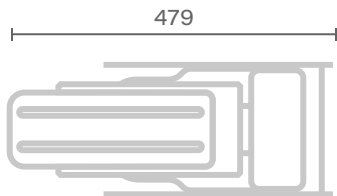
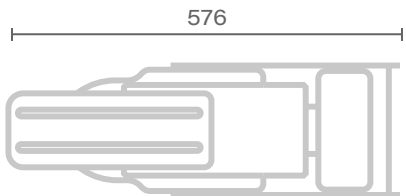
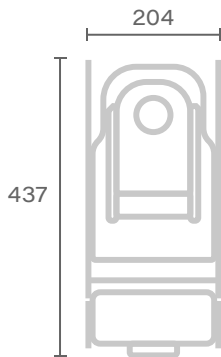
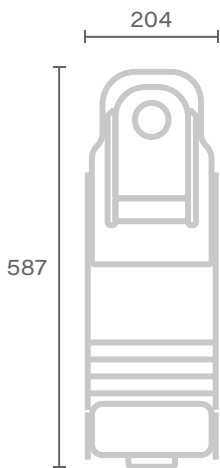
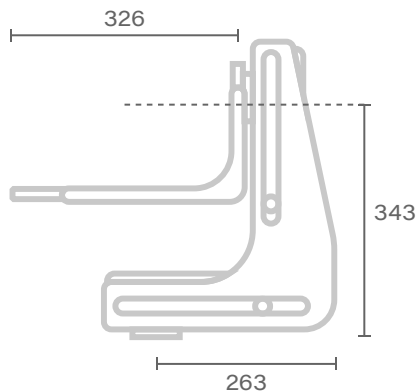
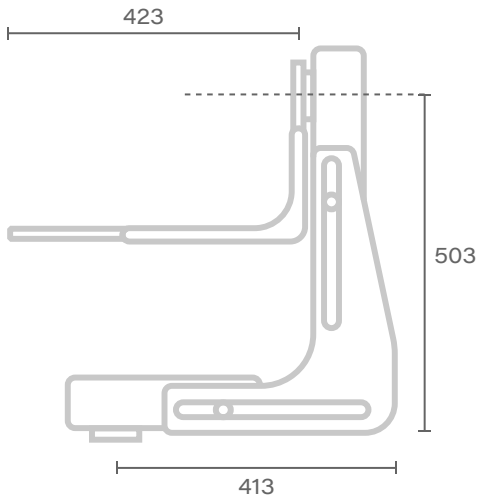
AQUA CAMS 2 AXES

Aqua Cams is a remote head design for underwater shooting. This head allows a flowing and perfect moment underwater too, it can be used in swimming pool or in sea, it can be mounted on crane columns, bazooka risers and customized unit. On Aqua Cams you can mount Cine or Eng cameras. It can be controlled by Pan/Bar and wheels.

DATASHEET

Payload Max	30 kg
Weight	22 kg
Depth Max	10 m
Max speed	180°/s
Operator control unit	Pan/Bar / Wheels

AQUA CAMS



Unit of measure - millimetres [mm]